

## RDB901: Operating unit for RDT900 controllers

### How energy efficiency is improved

Maximum flexibility with regard to graphic representation for easily adapt the controller to particular system conditions

### Field of application

Remote user interface for RDT900 controller

### Features

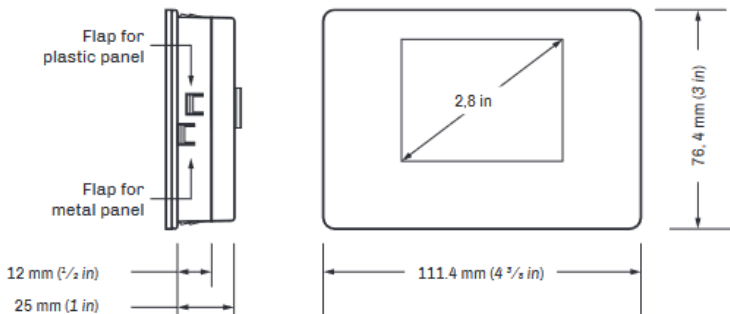
- Easy to operate with illuminated LCD graphic display 320x240 pixel and 6 capacitive touch keys
- Easy integration in both residential and commercial systems.
- Installation by panel
- Integrated clock and alarm buzzer
- Communication with RDT900 via CANbus



RDB901F901

Type	Description		
<b>RDB 901 F901</b>	Remote operating unit for RDT900 controller with LCD graphic display		
Power supply	24 V~ (± 15%), 50/60 Hz 12 ... 30 VDC	Operating temperature	-10...55 °C
Dissipated power	4VA (when VAC) – 2W (when VDC)	Storage temperature	-20...70 °C
		Operating Humidity	5...95% non condense
Comm. ports	1 CANbus	Dimensions	111,4 x 76.4 x 25.0 mm
Supply cable MAX lenght	10m	Type of protection	IP30 (IP65 when mounted on panel)
CANbus cable MAX length (use shielded cable)	1000m	Connections	Plug-in screw
	500m		
	250m		
	50m		
	With baud rate 20.000 baud		
	With baud rate 50.000 baud		
	With baud rate 125.000 baud		
	With baud rate 500.000 baud		

### Technical Drawing



### Installation hole on panel

